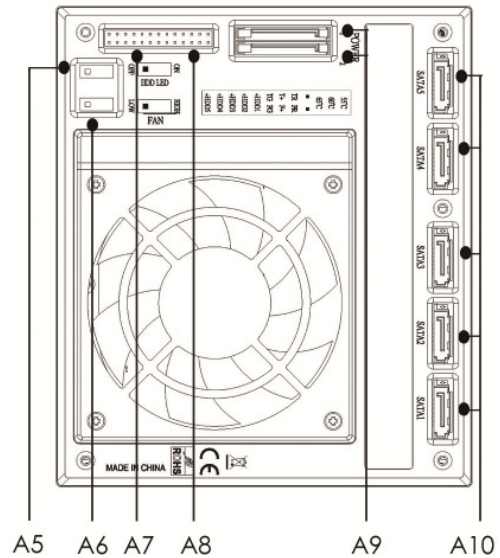
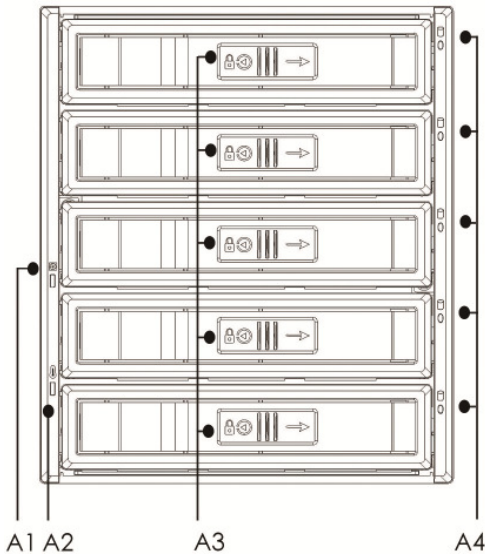




Specifications

| | |
|----------------------------|--|
| Required Space | 3x 5.25"-Bay |
| HDD Connectors | 5x S-ATA or SAS |
| HDD Size | Standard 3.5" 2.5" |
| Interface | SAS or S-ATA I, II, III |
| Controller Connectors | 5x S-ATA |
| Max. Data Transfer Rate | 6Gbit/s |
| Hot Swap | • |
| Plug&Play | • |
| Fan | 1x 80mm |
| LED | 1x Fan Status 1x Temperature Status 5x HDD Access |
| Switch | Fan Speed HDD LED Temperature alert jumper |
| Power Supply | 2x 15pin S-ATA |
| Material | Aluminum & Plastic |
| Case Dimensions (H/W/D) | 145/125/210mm |
| Package Dimensions (H/W/D) | 165/254/180mm |
| Weight (net) | 1.82Kg |
| Weight (gross) | 2.07Kg |
| Packing Units (VE/VPE) | 1/6 |
| Guarantee and Warranty | 24 Months Warranty |
| Article Number | 88887089 |
| EAN-Code | 4260133125780 |
| Scope of Delivery | Screw Set Keys |
| Features | Two separately adjustable fan speeds Overheating alarm adjustable Spring-suspended bays to reduce vibrations Lockable trays Fan sensor |

• = existing
- = non existing



- A1 = FAN LED
(Normal: Green Error: Red)
- A2 = Temperature LED
(Normal: Green Error: Red)
- A3 = Lockable Tray
- A4 = Power & HDD access LED indication
- A5 = HDD LED switch (for SAS controller)

- A6 = Switch for fan
High (3000rpm)/Low (2400rpm)
- A7 = External signal pin slot
- A8 = Temperature alert jumper
(55°C/60°C/65°C)
- A9 = 15pin SATA power connector
- A10 = SATA data signal connector

| LED | A4 | | |
|----------|--------|------------|--------|
| Status | HDD in | HDD access | A5 OFF |
| Colour | Green | Orange | Green |
| Blinking | x | o | x |

[*If the HDD LED switch for the SAS controller (A-3) is in the position OFF, the HDD access is switched off. In this case the LED shines blue, which means that the device is switched on but has no blinking access signal.]