



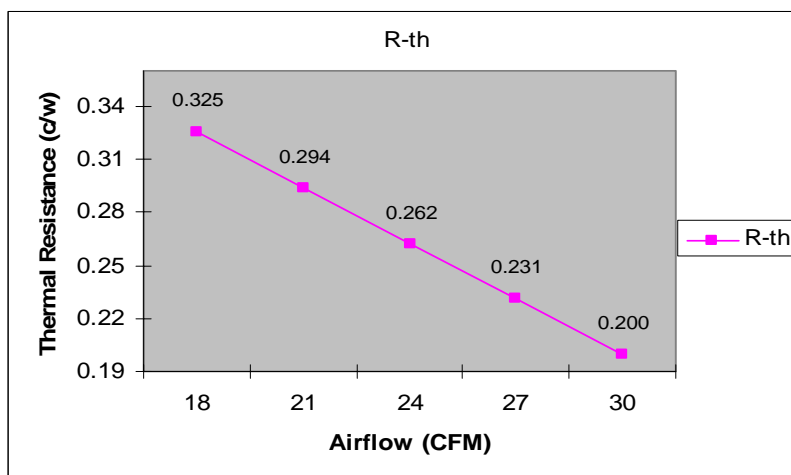
Model Number: K618

- Recommend for Intel® Core™ i5 I5-750; Xeon® Processor 3400 Series; Core™ i7 Processors I7-870 & I7-860; Socket LGA1156
- Passive Heat Sink for 2U Server

Overall Specification:

- Dimension: 90.0 x 90.0 x 64.0mm
- Weight: 490g
- Copper Base with Aluminum Stacked Fin plus 3 Heat Pipes
- Back Strip is Included
- Thermal Grease Pre-Printed with GE-Toshiba TIG830SP
- Support CPU Power up to 95 Watts

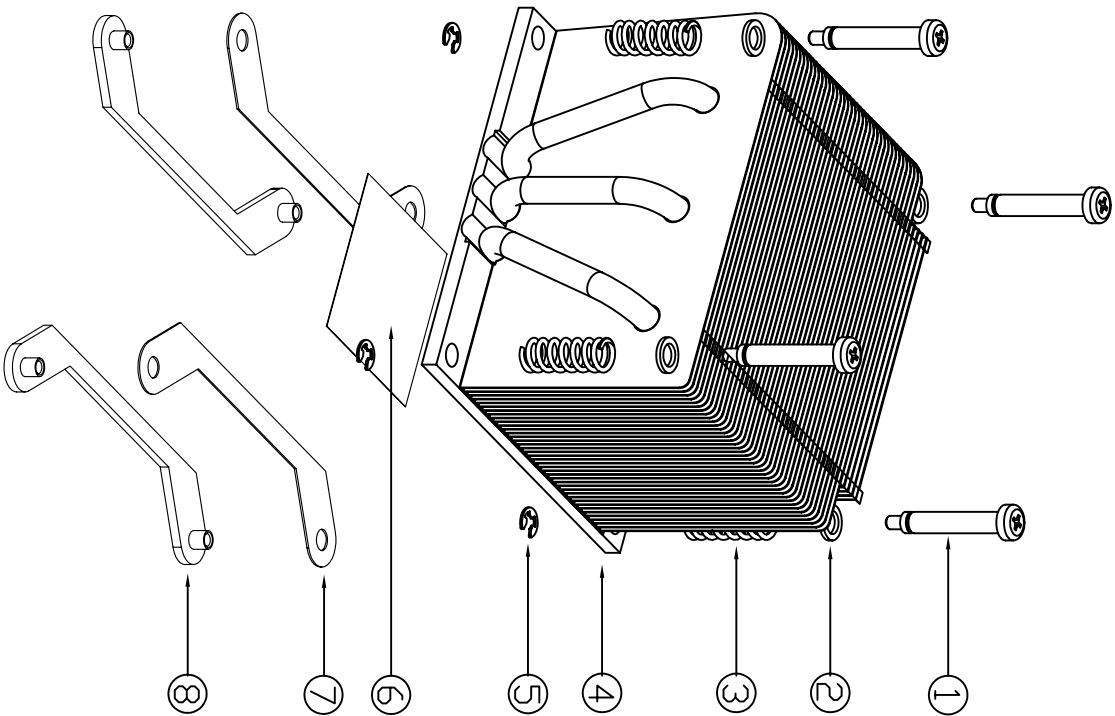
Heatsink K618 Thermal Performance VS. Wind Tunnel Airflow :



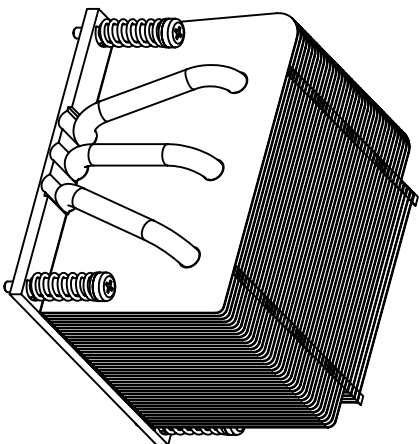
CONFIDENTIAL DOCUMENT

THIS DRAWING CONTAINS INFORMATION PROPRIETARY TO DYNATRON CORPORATION AND DYNAMED INDUSTRIAL CO., LTD. ANY REPRODUCTION, DISCLOSURE, OR USE OF THIS DRAWING IS EXPRESSLY PROHIBITED WITHOUT THE WRITTEN CONSENT OF DYNATRON CORPORATION AND DYNAMED INDUSTRIAL CO., LTD. MAY OTHERWISE AGREE TO IN WRITING.

ASSEMBLY PARTS



WHOLE SET OF COOLER



- NOTES:**
1. THE FIGURE IS FOR REFERENCE ONLY, AND NOT FOR SCALE
 2. OVERALL HEATSINK DIMENSION : 90.0 x 90.0 x 64.0 mm
 3. OVERALL WEIGHT : 490g

ITEM#	DESCRIPTION	CHECKER	DATE
1	Initial Release	LANG	12/31/09

ITEM NO.	DESCRIPTION	MATERIAL	QTY.
8	BACK STRIP	SPPC	2
7	INSULATOR	FORMEX GK-17	2
6	THERMAL GREASE	TIG830SP, 35X35mm	1
5	C-RING	STEEL	4
4	HEATSINK	AL-FIN+CuBASE+HEATPIPE	1
3	SPRING	SUS 304	4
2	WASHER	STEEL	4
1	SCREW, HEATSINK	STEEL	4

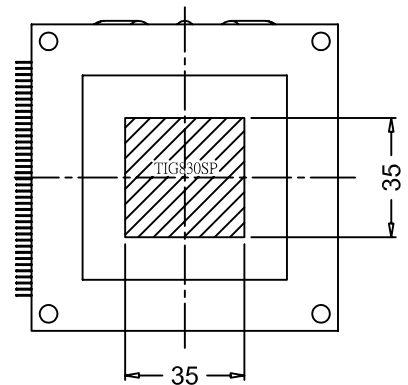
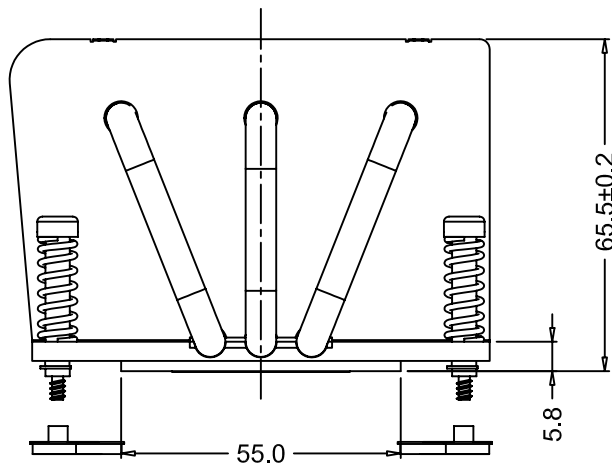
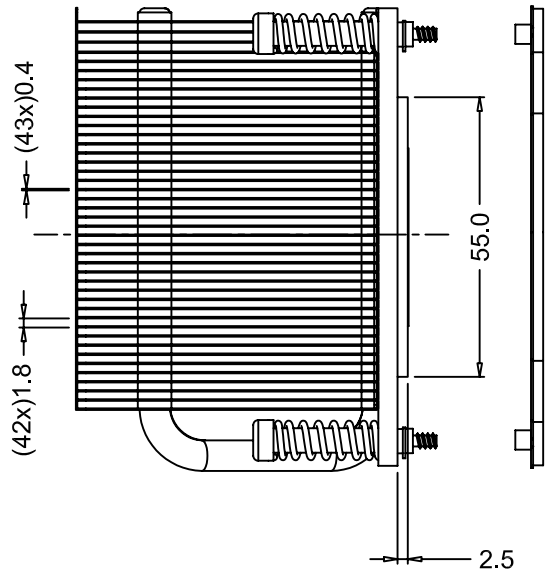
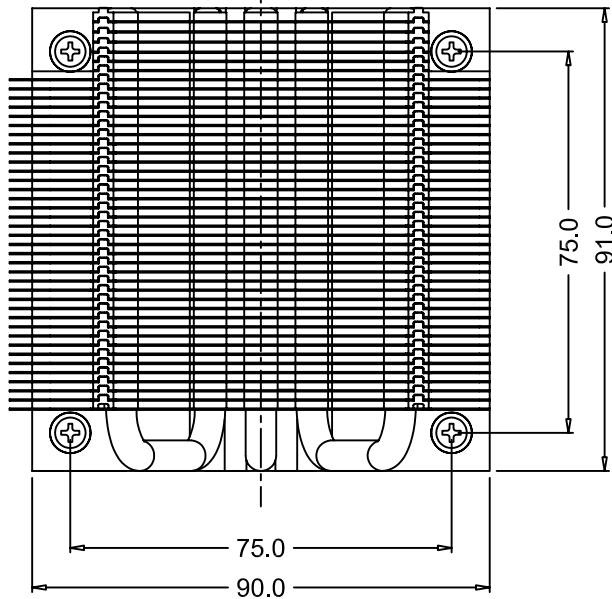
DATE	NAME	TITLE
12/21/09	ENGR.	2U Passive Heatsink K618
12/21/09	LANG	BOM & Exploded Assembly Drawing

DYNATRON CORPORATION

DWG. No: DYN-EP-K618

REV 00

ITEM#	DESCRIPTION	CHECKER	DATE
01	INITIAL RELEASE	LANG	09/21/2009



Thermal Grease Printing Area
Scale 2:3

	NAME	DATE
DRAWN BY	ENGR	09/21/2009
CHECKED BY	LANG	09/21/2009
ENG. APPROVED		
MFG. APPROVED	-	-



DYNATRON CORPORATION

TITLE: CPU Passive Cooler K618
Overall Dimension Drawing

CONFIDENTIAL DOCUMENT

THIS DRAWING CONTAINS INFORMATION PROPRIETARY TO DYNATRON CORPORATION AND DYNAEON INDUSTRIAL CO., LTD. ANY REPRODUCTION, DISCLOSURE, OR USE OF THIS DRAWING IS EXPRESSLY PROHIBITED EXCEPT AS DYNATRON CORPORATION AND DYNAEON INDUSTRIAL CO., LTD. MAY OTHERWISE AGREE TO IN WRITING.

VIEW	
UNITS	MM

DWG. No:
DYN-DM-K618

REV.
00

1 2 3 4 5 6 7