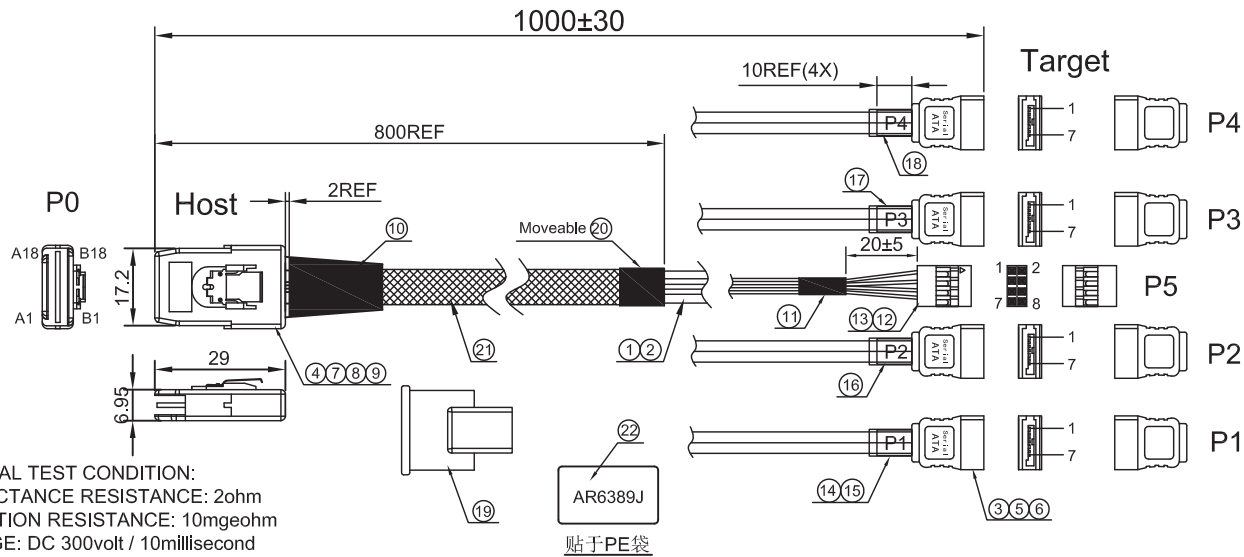


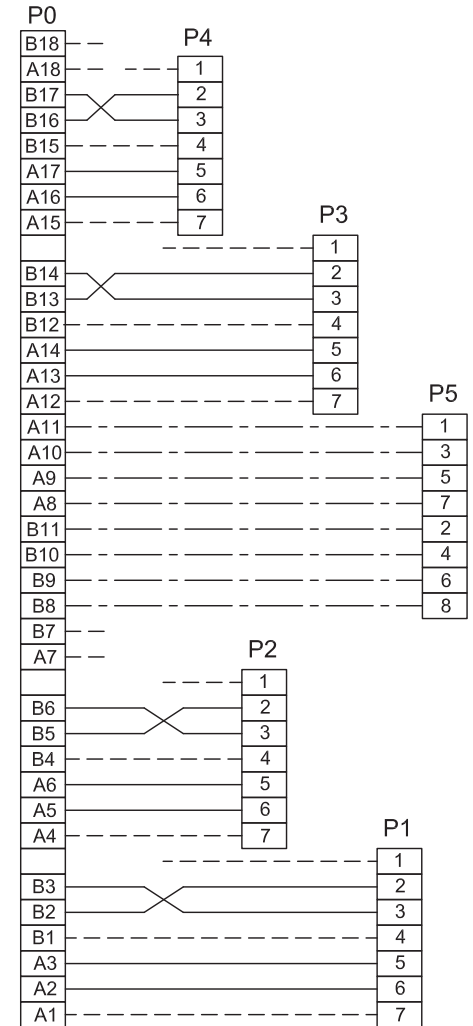
PART NO. 88885301

REVISIONS				
LTR	ECR NO.	DESCRIPTION	DATE	APPROVED
A		Initial Release for Manufacture	Sep.06.13	
B	15081	Change of anti-static bags	Apr.20.15	



ELECTRICAL TEST CONDITION:
 1. CONDUCTANCE RESISTANCE: 2ohm
 2. INSULATION RESISTANCE: 10mgeohm
 3. VOLTAGE: DC 300volt / 10millisecond

PIN ASSIGNMENT



<p>ROHS</p> <p>UNITS ARE MILLIMETERS DIMENSIONS ARE IN MILLIMETERS</p> <p>IMALS ± 0.30 ANGLES ± 3° DIMENSIONS ARE IN MILLIMETERS TOLERANCES ARE:</p> <p>DO NOT SCALE DRAWING</p>	APPROVALS	DATE	Inter-Tech Elektronik Handels GmbH			
	DRAWN					
	CHECKED		SFF8087 MINI SAS 36P to 4xSATA 7P/F 180° + 2x4P, 1m			
	APPROVAL:			SIZE C	SCALE:	DRAWING NO.
			ID NO.	SHEET 1 OF 1		